



Quality you trust. Experience you know.

### Features:

- Heavy duty meat and food grinder
- Grinds 25lbs. per minute on first grind with a 3/16" (0.5cm) plate
- 1 hp motor
- Grinding worm is directly coupled to the gear motor output shaft
- Designed for high volume, heavy duty use
- Great for restaurants and butcher shops
- Comes ready to grind with a 3/16" (0.5cm) grind plate, #22 X-knife, aluminum feed pan, aluminum stomper, meat storage container, and cleaning brush

### Standard Accessories:

- 17"x25" (43.2cm x 63.5cm) feed pan
- Aluminum stomper
- Plastic storage container: 18.5"x13.5" (47cm x 34.3cm)
- #22 3/16" (0.5cm) grind plate
- #22 X-knife

### Optional Accessories:

- 1/8" (0.3cm) grind plate
- 3/16" (0.5cm) grind plate
- 1/4" (0.6cm) grind plate
- 3/8" (1cm) grind plate
- 1/2" (1.3cm) grind plate
- X-knife
- 1/2" (1.3cm) stuffing tube
- 3/4" (1.9cm) stuffing tube
- Small plastic cover
- S-5B stand

### Warranty:

- One year, on-site parts and labor

## Meat and Food Grinder with #22 Hub

Model: MG22



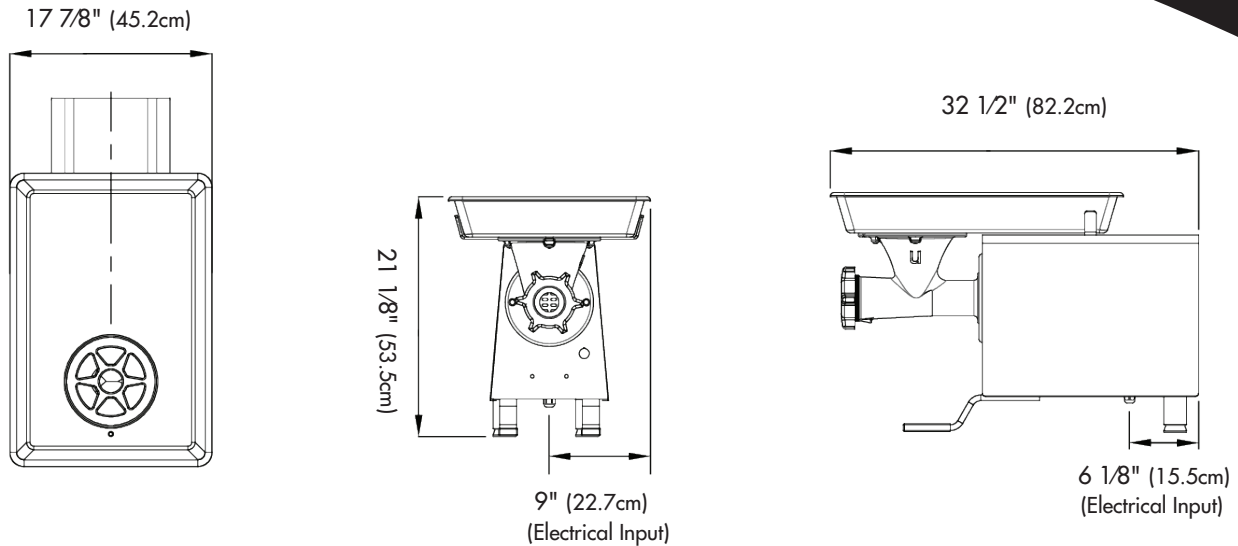
MG22: 1hp Meat and Food Grinder



Quality you trust. Experience you know.



## Meat and Food Grinder: MG22



**Motor:** 1 hp grease packed gear motor provides compact, smooth, and quiet performance with an 8:1 reduction within the gear motor resulting in a 224RPM drive shaft output. Worm is coupled directly with the gear output shaft.

**Drive Assembly:** Completely enclosed in an acrylic urethane silver enamel finished ten gauge steel housing and a number four finished 20 gauge stainless steel cover.

**Switch:** Momentary contact start/stop push button. Contactor provides no voltage release protection preventing accidental start-up in the event of power interruption. Micro-switch interlock prevents operation of the chopper if not properly mounted.

**Meat Grinder:** With aluminum housing, worm and ring, mounted onto the power base by two threaded studs and secured with two knobs. The housing has internal flutes that match those on the worm forcing the product to shear and be forced through the knife and plate. Accepts industry standard #22 plates and knives.

**Feed Stomper:** Aluminum stomper designed for ease of use and safety.

**Feed Pan Capacity:** 23.5 quarts (22.2 liters). 17"x25" (43.2cm x 63.5cm)

Electrical Information (60Hz)				
	Voltage	Phase	hp(kW)	Amps
Standard Voltage	100-120	1	1 (0.75)	10.0-8.4
Optional Voltage	200-240	1	1 (0.75)	5.0-4.2

Shipping Information			
Net Weight	Shipping Weight	Overall Dimensions	Shipping Class
135 lbs. (61.2Kg)	167 lbs. (75.7Kg)	27" (68.6cm) H x 36" (91.4cm) W x 23" (58.4cm) D	85



Xebeco Corporation  
www.xebeco.com

P.O Box 1062  
Windham, NH 03087  
United States of America

MAIN OFFICE:  
603-458-7690  
FAX: 603-458-7671

