



Quality you trust. Experience you know.

XeFP Food Processor

Features:

- The XeFP is a versatile veg prep machine capable of preparing up to 485 lbs of fresh vegetables, fruit and more per hour
- Heavy duty ventilated motor for continuous operation
- Thanks to its compact design the machine is easy to install inside every kitchen
- The exclusive feeding system makes easy to process also soft products like mozzarella cheese
- Motor stops when the lever is lifted and the machine does not start if cover is not in place

Models:



Standard Features:

- Aluminium alloy and S/S construction

Optional Features:

- Large number of discs available for every purpose including:
Slicer plates- 1mm, 2mm, 3mm, 4mm, 5mm, 8mm, 10mm, 14mm
Grater and Shredder- 1mm, 2mm, 3mm, 4mm, 7mm, PGP8mm, 9mm
Dicer- 5mm, 8mm, 10mm, 14mm, 20mm
Julienne- 4mm, 6mm, 8mm, 10mm



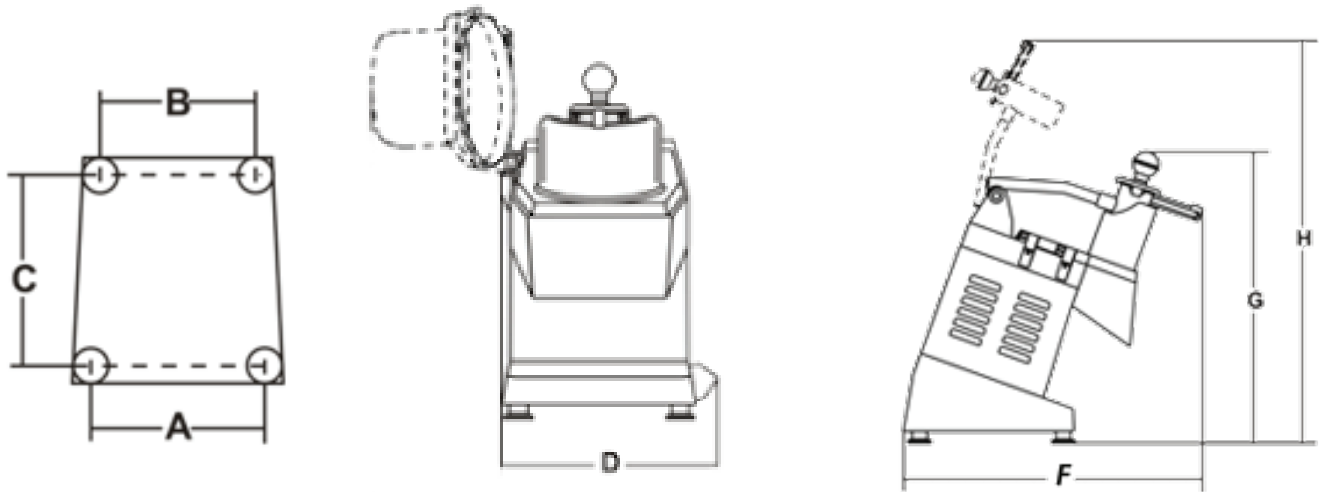
Warranty Details

The XeVS carries a one-year, on-site parts and labor warranty against any flaws in materials and workmanship. This period begins on the date of the purchase and, provided the unit is used in accordance with our instructions, is in full effect for one year from that date. Any work performed under this warranty must be performed between the hours of 8am and 5pm Monday through Friday. Xebeco will not pay for overtime charges for work performed other than during normal business hours. Damage incurred in transit or from installation error, accident, alteration or misuse is not covered. Xebeco shall not be liable for any consequential compensatory, incidental, or special damages. Contact the Xebeco service department for any warranty claims. Ovens with steam may require water filtration depending upon water quality of oven location. If scaling or damage is caused by too hard or too soft unfiltered water warranty may be voided.

Quality you trust. Experience you know.



Food Processor



Food Processor Dimensions:

- A 8 7/8"
- B 7 11/16"
- C 10 1/16"
- D 11"
- F 20 1/16"
- G 20 1/16"
- H 30 5/16"

Electrical-Amps:
115V/60Hz/1Ph- Amps 4.29

Blade RPM:
300rpm

Dimensions(WxDxH):
11"x18"x20"

Power:
.69Hp(.515kW)

Warranty:
• One year, on-site parts and labor



***ALL PROVIDED DIMENSIONS ARE IN INCHES**



Conforms to UL Std. 763 and NSF Std. 08
Conforms to CSA Std. C22.2