



Quality you trust. Experience you know.

## Semi-Automatic Rectangle Divider

### Features:

- Divides dough in equal sections
- Produces 24 equal weight pieces at once

Production estimate is based off a 45 second start-to-finish process with prep time included

- Can produce 1400 pieces an hour
- Industrial strength machine
- Simple controls

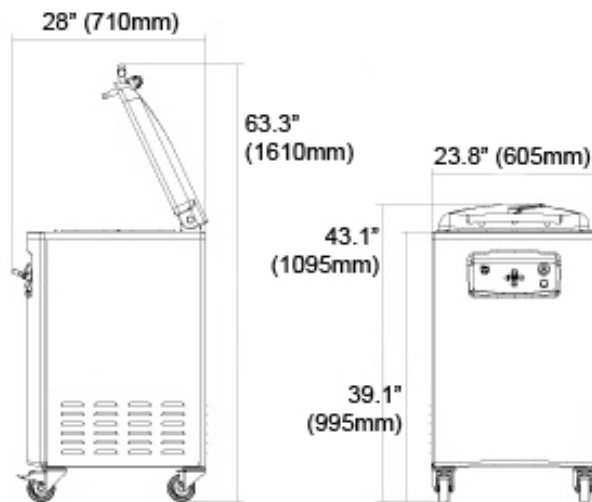
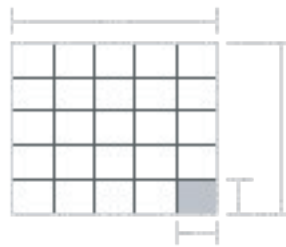
Electrical:  
220/60/3

### Shipping Information:

LENGTH	DEPTH	HEIGHT	WEIGHT
29.5" (750mm)	57" (1450mm)	29.5" (750mm)	507lbs (230kg)

- XeRECs24  
(4.23oz to 22.9oz)

### Shape Detail



### Warranty:

- One year, on-site parts and labor

#### Warranty Details

The XeRECs carries a one-year, on-site parts and labor warranty against any flaws in materials and workmanship. This period begins on the date of the purchase and, provided the unit is used in accordance with our instructions, is in full effect for one years from that date. Any work performed under this warranty must be performed between the hours of 8am and 5pm Monday through Friday. Xebeco will not pay for overtime charges for work performed other than during normal business hours. Damage incurred in transit or from installation error, accident, alteration or misuse is not covered. Xebeco shall not be liable for any consequential compensatory, incidental, or special damages. Contact the Xebeco service department for any warranty claims.