



Quality you trust. Experience you know.

Manual Square Divider

Features:

- Manually divides dough in equal sections
- Produces 20 equal weight pieces at once

Production estimate is based off a 60 second start-to-finish process with prep time included

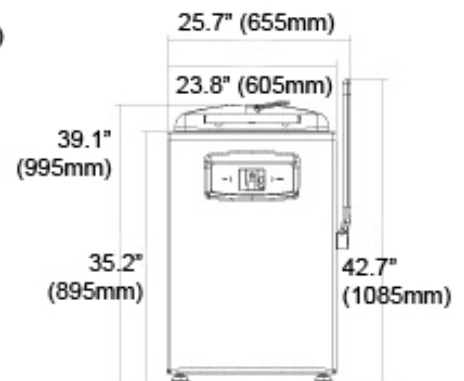
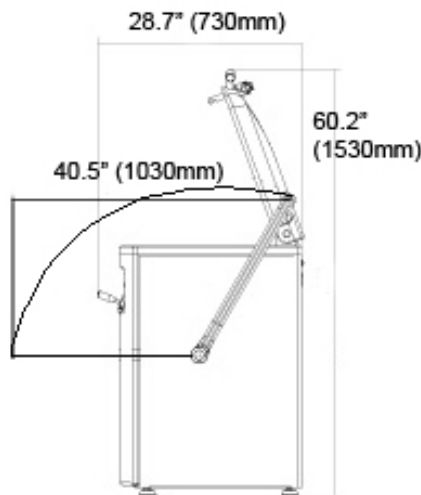
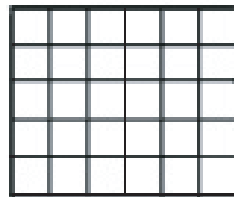
- Can produce 1000 pieces an hour
- Industrial strength machine
- Simple controls

Shipping Information:

LENGTH	DEPTH	HEIGHT	WEIGHT
29.5" (750mm)	57" (1450mm)	29.5" (750mm)	386lbs (175kg)

□ XeSQm20
(2.8oz to 12.3oz)

Shape Detail



Warranty:

- One year, on-site parts and labor

Warranty Details

The XeSQm20 carries a one-year, on-site parts and labor warranty against any flaws in materials and workmanship. This period begins on the date of the purchase and, provided the unit is used in accordance with our instructions, is in full effect for one year from that date. Any work performed under this warranty must be performed between the hours of 8am and 5pm Monday through Friday. Xebeco will not pay for overtime charges for work performed other than during normal business hours. Damage incurred in transit or from installation error, accident, alteration or misuse is not covered. Xebeco shall not be liable for any consequential compensatory, incidental, or special damages. Contact the Xebeco service department for any warranty claims.